

Mini high-pressure cleaner 2419

Instruction for use

I. Introduction

This device is a sophisticated cleaning tool with excellent performance. The water released at high pressure removes impurities thoroughly.

II. Technical data

Voltage: 230 Volt
Frequency: 50 Hz
Current: 0,4-0,6A
Power: 40W
Fuse: 800mA
Pressure: >0.8 MPa
Output quantity: 1-2 ml / s
Tank: 0,75 L
Cable length: approx. 2 m
Weight: approx. 1 kg



III. Use

Fill the tank with water and connect the unit to the power supply. Pressing and holding down the button (4) switches the unit on.

The best distance for cleaning is about 10 to 15 cm between the target and the spray head. Spray the target repeatedly until the dirt is removed.

The water pressure can be adjusted with the pressure regulator (8). On the angular additional nozzle there is an additional adjustment lever for adjusting the jet cone.

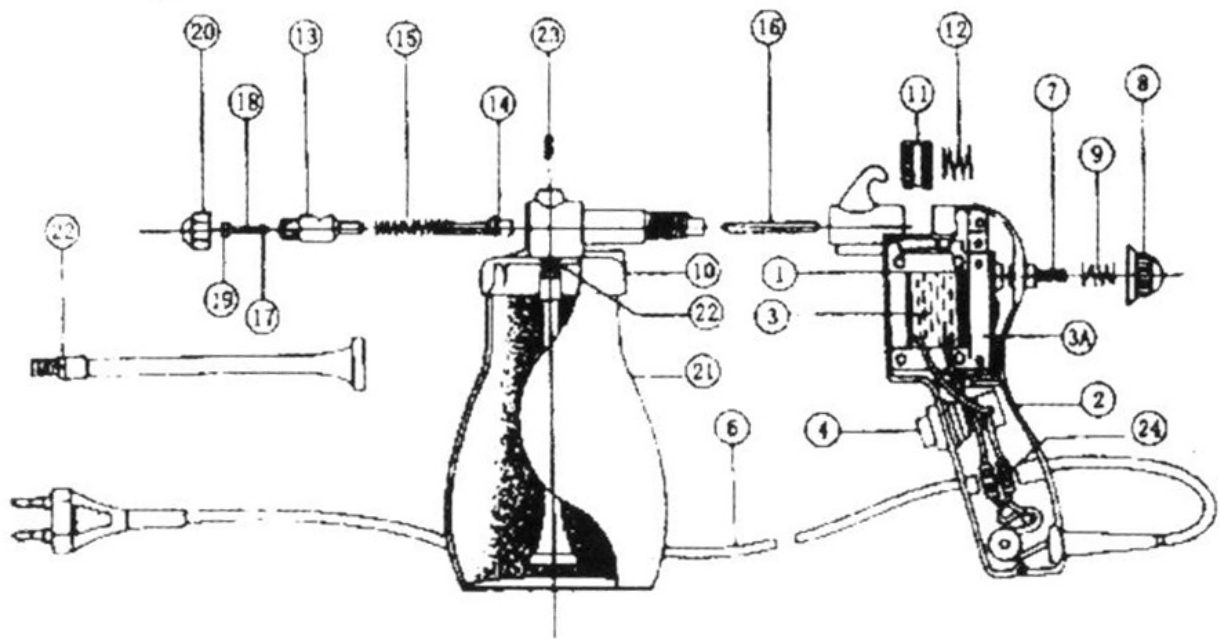
IV. Safety instructions

- Only use with water!
- Always use safety glasses when using the unit.
- Never leave the unit unattended within the reach of children.
- During prolonged use, the unit will heat up and may be damaged. After 8 to 12 minutes of continuous use, a pause is therefore required to allow the unit to cool down.
- This device is not a toy. Improper use may cause serious injury.
- Keep the tank sufficiently filled during operating so that the unit does not run dry.
- Never expose the unit to frost.

V. Maintenance

- 1.) Never operate the device without water!
- 2.) If the unit sounds normal, but does not release water or the pressure is lower than before, check the intake manifold (22) for blockages. Unscrew the intake manifold, clean the strainer, screw it back on and try again.
- 3.) If the unit is running at low pressure or with an unstable volume, disconnect the unit from the power supply, open the handle and check the pump screws. Replace them if necessary.
- 4.) If the unit sounds or sprays unfamiliarly, check and replace the spring (15) if necessary.
- 5.) Before prolonged non-use: empty the tank and allow the unit to spray for a few seconds without the tank to ensure that any liquid remaining in the unit has been used up.
- 6.) From time to time, add some sewing machine oil to the opening provided on top of the machine.
- 7.) This article is not intended for use on persons or animals. Please keep the unit out of the reach of children.

The device



- | | |
|-------------------------------|-------------------------------|
| 1. Housing | 13. Pump cylinder |
| 2. Housing cover | 14. Piston |
| 3. Drive unit | 15. Piston spring |
| 3A. Vibration mechanism | 16. Intermediate push rod |
| 4. Start button | 17. Output valve plug |
| 6. Power cord | 18. Output valve spring |
| 7. Buffer section | 19. Output head |
| 8. Pressure regulator | 20. Jet |
| 9. Brake spring (for 8) | 21. Water tank |
| 10. Transducer for water tank | 22. Intake pipe with strainer |
| 11. Adjusting roller | 23. Locking screw |
| 12. Adjusting roller spring | 24. Fuse |

Angled additional nozzle

with adjustment lever for adjusting the jet

